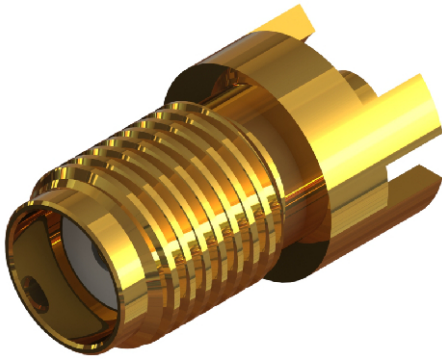
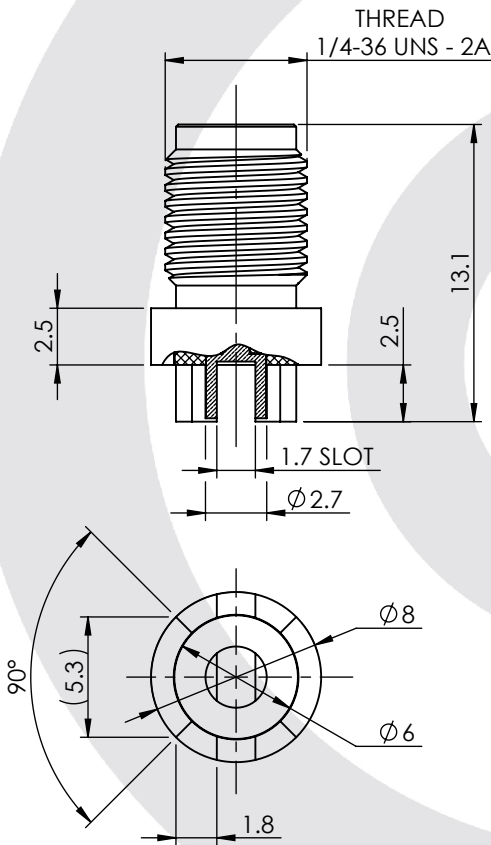


## SMA END LAUNCH PCB JACK

### 30-390-D3-1.57



images for illustration purposes only



### Environmental Specification

Operating Temp: -55 to +155 Deg C.

IP Rating (Mated): IP 40

### Electrical Specification

Impedance: 50 Ohm

Frequency: 0-18 GHz

Dielectric W/V: 1000 Veff

Insulation res: 5000 M-Ohm

### Mechanical Specification

Contact Retention: 27 N min

Cable Retention: Not Applicable

Mating cycles: 250

Weight: 1.89 g

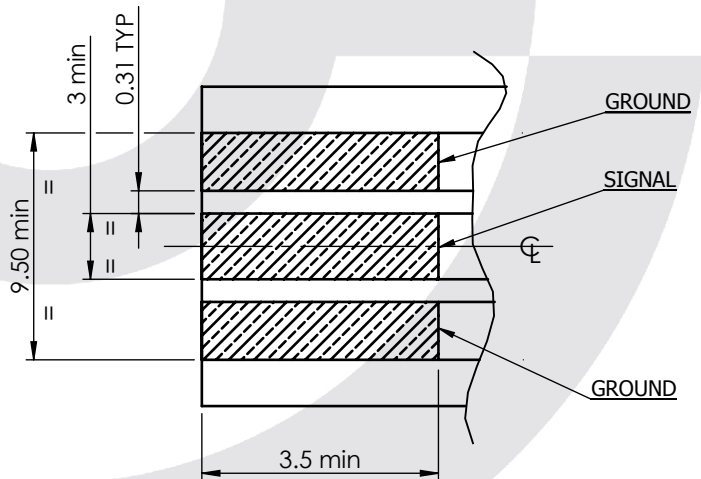
### Connector Interface

image for illustration purposes only



### Coplaner PCB Layout

Based on; Er = 4.50, Thickness = 1.57



3	INSULATOR	PTFE	N/A
2	CENTRE CONTACT	BERYLLIUM COPPER	GOLD
1	BODY	BRASS	GOLD
ITEM	DESCRIPTION	MATERIAL	PLATING
<b>A4</b>	SHEET 1 OF 1	DIMENSIONS ARE IN MILLIMETRES	
REVISION :	A00	NAME	SIGNATURE
ISSUE :	2	DATE	
		DRAWN	GE
		CHK'D	IG
		APPV'D	
<p>6-8 COLNE ROAD, TWICKENHAM, MIDDLESEX. TW1 4JR</p> <p>THE INFORMATION IS GIVEN AS AN INDICATION ONLY AND IS SUBJECT TO CHANGE WITHOUT NOTICE. IN THE CONTINUAL GOAL TO IMPROVE OUR PRODUCTS, WE RESERVE THE RIGHT TO MAKE ANY MODIFICATIONS NECESSARY WITHOUT PRIOR NOTICE.</p>			