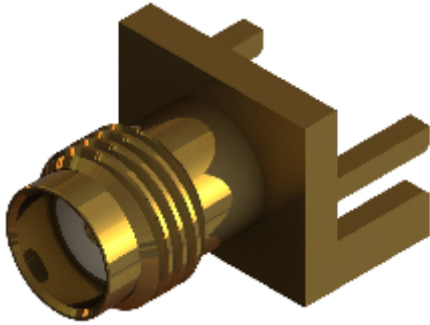
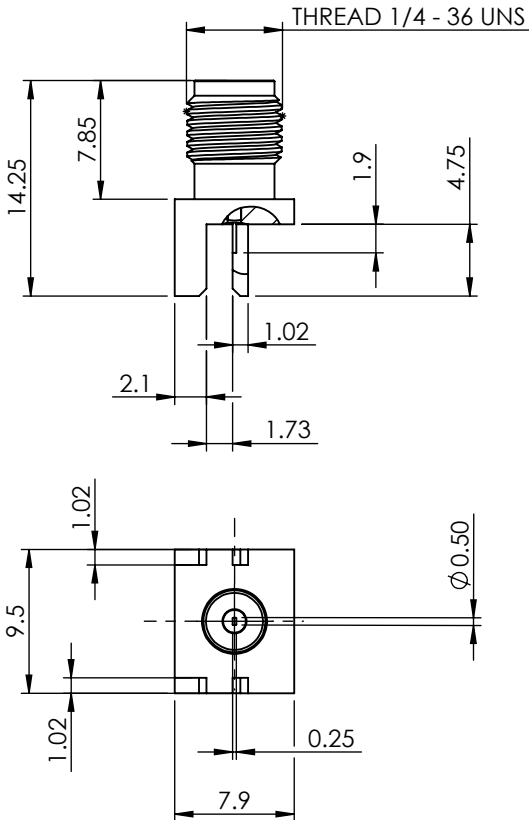


## SMA STRAIGHT END LAUNCH JACK

### 30-459-D3-1.7mm



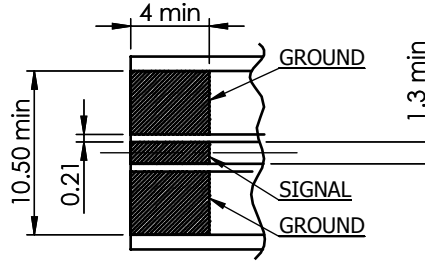
images for illustration purposes only



### Suitable for Cables:

Not Applicable

### PCB Layout Dimensions



THICKNESS OF PCB:  
1.70 MAX

PCB MATERIAL:  
GLASS EPOXY RESIN  
(Er=4.8)

### Environmental Specification

Operating Temp: -55 to +155 Deg C.

IP Rating (Mated): IP 40

### Electrical Specification

Impedance: 50 Ohm

Frequency: 0-18 GHz

Dielectric W/V: 750 Veff

Insulation res: 5000 M-Ohm

### Mechanical Specification

Contact Retention: 18 N min

Cable Retention: Not Applicable

Mating cycles: 100

Weight: 2.12 g

### Connector Interface

image for illustration purposes only



3	INSULATOR	PTFE	N/A
2	CENTRE CONTACT	BERYLLIUM COPPER	GOLD
1	BODY	BRASS	GOLD
ITEM	DESCRIPTION	MATERIAL	PLATING

<b>A4</b>	SHEET 1 OF 1	DIMENSIONS ARE IN MILLIMETRES				
REVISION :	A01		NAME	SIGNATURE	DATE	
DRAWN	IG				21/02/2013	
ISSUE :	1		CHK'D	GE		19/02/2013
APPV'D						
6-8 COLNE ROAD, TWICKENHAM, MIDDLESEX. TW1 4JR						
THE INFORMATION IS GIVEN AS AN INDICATION ONLY AND IS SUBJECT TO CHANGE WITHOUT NOTICE. IN THE CONTINUAL GOAL TO IMPROVE OUR PRODUCTS, WE RESERVE THE RIGHT TO MAKE ANY MODIFICATIONS NECESSARY WITHOUT PRIOR NOTICE.						